

BUILDING CODE COMPLIANCE OFFICE  
METRO-DADE FLAGLER BUILDING  
140 WEST FLAGLER STREET, SUITE 1603  
MIAMI, FLORIDA 33130-1563  
(305) 375-2901  
FAX (305) 375-2908

PRODUCT CONTROL DIVISION  
(305) 375-2902  
FAX (305) 372-6339

**Bruno Salvoni**  
**La Finestra**  
**2790 NW 104 Court**  
**Miami, Florida 33172**

## NOTICE OF PROPOSED ACTION

**To: Members of the Board of Rules and Appeals and  
La Finestra, Applicant**

In accordance with Dade County Administrative Order 10-3, which governs the product review process, the Product Control Division of the Office of Code Compliance, intends to issue a Product Control Notice of Acceptance to La Finestra for Series "EKU-53" Aluminum Fixed Window - L.M.I., No. 10-0706.03, to allow its use in Dade County and its municipalities.

**To: Members of the Board of Rules and Appeals:**

The documentation being provided to you represents the recommendation of the Product Control Division of the Office of Code Compliance in regards to the submittal of La Finestra for Series "EKU-53" Aluminum Fixed Window - L.M.I., No. 10-0706.03. Under the provisions of Dade County Administrative Order 10-3, which governs the product review process. You must review this documentation. If within 20 days from the date of mailing, we do not receive any written objection stating the reason(s) for your disapproval, this product will be automatically approved.

**To: La Finestra, Applicant**

The Product Control Division of the Office of Code Compliance, in accordance with Dade County Administrative Order 10-3, which governs the product review process, has issued this notice of proposed action and intends to issue a Product Control Notice of Acceptance for your Series "EKU-53" Aluminum Fixed Window - L.M.I., No. 10-0706.03, to be used in Dade County and its municipalities, unless a member of the Board of Rules and Appeals or yourself has any objections. Should you not be in accord with this notice of proposed action and wish to appeal our recommendation, you must make a written request, stating the reasons for your objection(s), to our office within 20 days of the date of mailing. Upon receipt of your written request a hearing date will be set so that you can present your objection(s) to the Board of Rules and Appeals .

Sincerely,



Jaime D. Gascon, PE  
Chief, Product Control Division

**DATE OF MAILING: 10/7/2010**

**MAILED BY:** 



**MIAMI-DADE COUNTY**  
**BUILDING CODE COMPLIANCE OFFICE (BCCO)**  
**PRODUCT CONTROL DIVISION**

**MIAMI-DADE COUNTY, FLORIDA**  
**METRO-DADE FLAGLER BUILDING**  
**140 WEST FLAGLER STREET, SUITE 1603**  
**MIAMI, FLORIDA 33130-1563**  
**(305) 375-2901 FAX (305) 372-6339**

**NOTICE OF ACCEPTANCE (NOA)**

[www.miamidade.gov/buildingcode](http://www.miamidade.gov/buildingcode)

**La Finestra, L.C.**  
**2790 N.W. 104 Court**  
**Miami, FL 33172**

**SCOPE:**

This NOA is being issued under the applicable rules and regulations governing the use of construction materials. The documentation submitted has been reviewed by Miami-Dade County Product Control Division and accepted by the Board of Rules and Appeals (BORA) to be used in Miami Dade County and other areas where allowed by the Authority Having Jurisdiction (AHJ).

This NOA shall not be valid after the expiration date stated below. The Miami-Dade County Product Control Division (In Miami Dade County) and/or the AHJ (in areas other than Miami Dade County) reserve the right to have this product or material tested for quality assurance purposes. If this product or material fails to perform in the accepted manner, the manufacturer will incur the expense of such testing and the AHJ may immediately revoke, modify, or suspend the use of such product or material within their jurisdiction. BORA reserves the right to revoke this acceptance, if it is determined by Miami-Dade County Product Control Division that this product or material fails to meet the requirements of the applicable building code. This product is approved as described herein, and has been designed to comply with the Florida Building Code, including the High Velocity Hurricane Zone.

**DESCRIPTION: Series "EKU-53" Aluminum Fixed Window - L.M.I.**

**APPROVAL DOCUMENT:** Drawing No. LAFINFX3-10, titled "Series EKU-53 Aluminum Fixed Window", sheets 1 through 5 of 5, dated 3/11/10, prepared by Bromley-Cook Engineering, Inc., signed and sealed by William D. Cook, P.E., bearing the Miami-Dade County Product Control Revision stamp with the Notice of Acceptance number and expiration date by the Miami-Dade County Product Control Division.

**MISSILE IMPACT RATING: Large and Small Missile Impact Resistant**

**LABELING:** Each unit shall bear a permanent label with the manufacturer's name or logo, city, state and following statement: "Miami-Dade County Product Control Approved", unless otherwise noted herein.

**RENEWAL** of this NOA shall be considered after a renewal application has been filed and there has been no change in the applicable building code negatively affecting the performance of this product.

**TERMINATION** of this NOA will occur after the expiration date or if there has been a revision or change in the materials, use, and/or manufacture of the product or process. Misuse of this NOA as an endorsement of any product, for sales, advertising or any other purposes shall automatically terminate this NOA. Failure to comply with any section of this NOA shall be cause for termination and removal of NOA.

**ADVERTISEMENT:** The NOA number preceded by the words Miami-Dade County, Florida, and followed by the expiration date may be displayed in advertising literature. If any portion of the NOA is displayed, then it shall be done in its entirety.

**INSPECTION:** A copy of this entire NOA shall be provided to the user by the manufacturer or its distributors and shall be available for inspection at the job site at the request of the Building Official. This NOA revises NOA # 08-0208.01 and consists of this page 1 and evidence pages E-1, E-2 and E-3, as well as approval document mentioned above.

The submitted documentation was reviewed by **Manuel Perez, P.E.**

**NOA No. 10-0706.03**  
**Expiration Date: March 06, 2013**  
**Approval Date:**  
**Page 1**

**NOTICE OF ACCEPTANCE: EVIDENCE SUBMITTED**

**A. DRAWINGS**

1. Manufacturer's die drawings and sections.
2. Drawing No **LAFINFX3-10**, titled "Series EKU-53 Aluminum Fixed Window", sheets 1 through 5 of 5, dated 03/11/10, prepared by Bromley-Cook Engineering, Inc., signed and sealed by William D. Cook, P.E.

**B. TESTS**

1. Test reports on: 1) Air Infiltration Test, per FBC, TAS 202-94  
2) Uniform Static Air Pressure Test, Loading per FBC TAS 202-94  
3) Water Resistance Test, per FBC, TAS 202-94  
along with marked-up drawings and installation diagram of a series EKU-53 aluminum fixed window, prepared by Hurricane Engineering & Testing, Inc., Test Report No. **HETI-08-2140A**, dated 07/07/08, signed and sealed by Candido F. Font, P.E.
2. Test reports on: 1) Large Missile Impact Test per FBC, TAS 201-94  
2) Cyclic Wind Pressure Loading per FBC, TAS 203-94  
along with marked-up drawings and installation diagram of a series EKU-53 aluminum fixed window, prepared by Hurricane Engineering & Testing, Inc., Test Report No. **HETI-08-2140B**, dated 07/07/08, signed and sealed by Candido F. Font, P.E.
3. Test reports on: 1) Uniform Static Air Pressure Test, Loading per FBC TAS 202-94  
along with marked-up drawings and installation diagram of a series EKU-53 aluminum fixed window, prepared by Hurricane Engineering & Testing, Inc., Test Report No. **HETI-08-2141A**, dated 07/07/08, signed and sealed by Candido F. Font, P.E.
4. Test reports on: 1) Large Missile Impact Test per FBC, TAS 201-94  
2) Cyclic Wind Pressure Loading per FBC, TAS 203-94  
along with marked-up drawings and installation diagram of a series EKU-53 aluminum fixed window, prepared by Hurricane Engineering & Testing, Inc., Test Report No. **HETI-08-2141B**, dated 07/07/08, signed and sealed by Candido F. Font, P.E.
5. Test reports on: 1) Large Missile Impact Test per FBC, TAS 201-94  
2) Cyclic Wind Pressure Loading per FBC, TAS 203-94  
along with marked-up drawings and installation diagram of a series EKU-53 aluminum fixed window, prepared by Hurricane Engineering & Testing, Inc., Test Report No. **HETI-08-2142**, dated 07/07/08, signed and sealed by Candido F. Font, P.E.

---

**Manuel Perez, P.E.**  
**Product Control Examiner**  
**NOA No. 10-0706.03**  
**Expiration Date: March 06, 2013**  
**Approval Date:**

NOTICE OF ACCEPTANCE: EVIDENCE SUBMITTED

**B. TESTS (CONTINUED)**

6. Test reports on: 1) Air Infiltration Test, per FBC, TAS 202-94  
2) Uniform Static Air Pressure Test, Loading per FBC TAS 202-94  
3) Water Resistance Test, per FBC, TAS 202-94  
4) Large Missile Impact Test per FBC, TAS 201-94  
5) Cyclic Wind Pressure Loading per FBC, TAS 203-94  
along with marked-up drawings and installation diagram of an aluminum fixed window, prepared by Fenestration Testing Laboratory, Inc., Test Report No. **FTL-3545**, dated 08/13/02, signed and sealed by Joseph Chan, P.E.  
*(Submitted under previous NOA # 02-1018.12)*
7. Test reports on: 1) Large Missile Impact Test per FBC, TAS 201-94  
2) Cyclic Wind Pressure Loading per FBC, TAS 203-94  
along with marked-up drawings and installation diagram of an aluminum fixed window, prepared by Fenestration Testing Laboratory, Inc., Test Report No. **FTL-3546**, dated 08/13/02, signed and sealed by Joseph Chan, P.E.  
*(Submitted under previous NOA # 02-1018.12)*
8. Test reports on: 1) Large Missile Impact Test per FBC, TAS 201-94  
2) Cyclic Wind Pressure Loading per FBC, TAS 203-94  
along with marked-up drawings and installation diagram of an aluminum fixed window, prepared by Fenestration Testing Laboratory, Inc., Test Report No. **FTL-3547**, dated 06/13/02, signed and sealed by Joseph Chan, P.E.  
*(Submitted under previous NOA # 02-1018.12)*

**C. CALCULATIONS**

1. Anchor verification calculations and structural analysis, complying with FBC-2007, prepared by Bromley-Cook Engineering, Inc., dated 04/03/08 with the latest revision dated 06/20/10, signed and sealed by William D. Cook, P.E.  
**Complies with ASTM E1300-04**

**D. QUALITY ASSURANCE**

1. Miami Dade Building Code Compliance Office (BCCO).

**E. MATERIAL CERTIFICATIONS**

1. Notice of Acceptance No. **05-1208.02** issued to **E.I. DuPont DeNemours & Co., Inc.** for their "**DuPont Butacite PVB Interlayer**" dated 01/05/06, expiring on 12/11/10.

---

Manuel Perez, P.E.  
Product Control Examiner  
NOA No. 10-0706.03  
Expiration Date: March 06, 2013  
Approval Date:

NOTICE OF ACCEPTANCE: EVIDENCE SUBMITTED

**F. STATEMENTS**

1. Statement letter of conformance, dated June 23, 2010, signed and sealed by William D. Cook, P.E.
2. Statement letter of no financial interest, dated June 23, 2010, signed and sealed by William D. Cook, P.E.
3. Laboratory compliance letter for Test Report no. **FTL-3545, FTL-3546, and FTL-3547**, issued by Fenestration Testing Laboratory, Inc., dated August 29, 2002, signed and sealed by Joseph Chan, P.E.  
*(Submitted under previous NOA # 02-1018.12)*

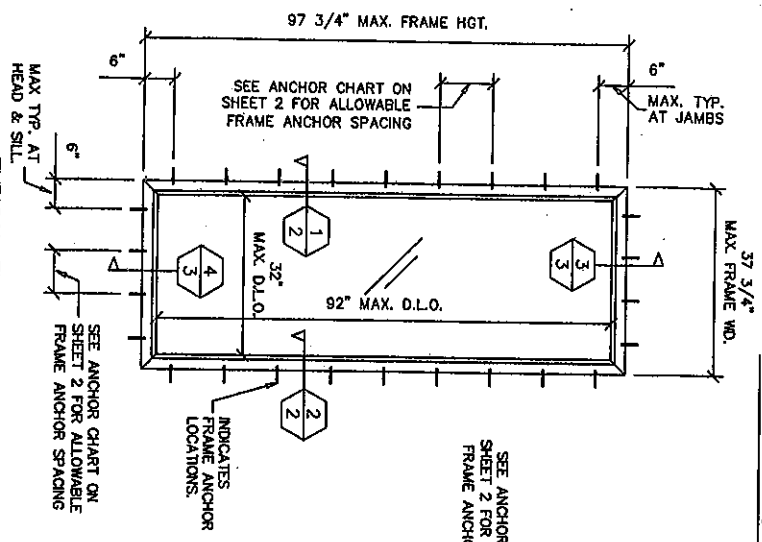
**G. OTHER**

1. Notice of Acceptance No. **08-0208.01**, issued to La Finestra, L.C. for their Series "EKU-53" Aluminum Fixed Window – L.M.I., approved on 08/07/08 and expiring on 03/06/13.

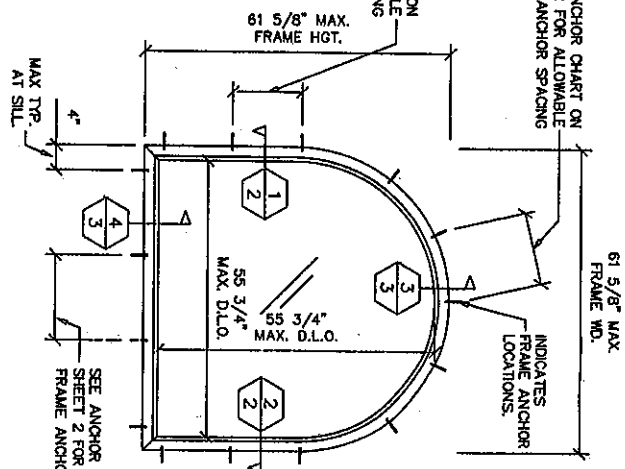
---

Manuel Perez, P.E.  
Product Control Examiner  
NOA No. 10-0706.03  
Expiration Date: March 06, 2013  
Approval Date:

LA FINESTRA, LC SERIES: EKU 53 FIXED WINDOW L.M.I.

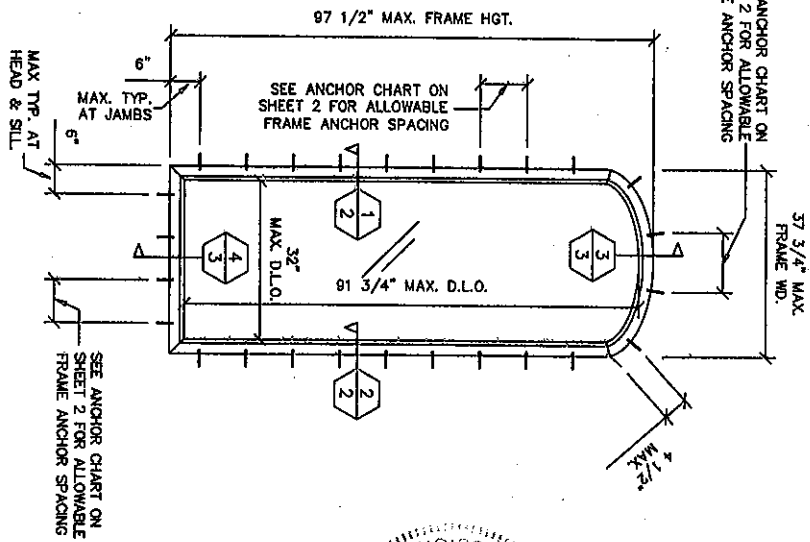


"FIXED RECTANGLE"



"FIXED ARCHED TOP HALF CIRCLE"

OTHER GEOMETRIC FRAME SHAPES MAY BE USED PROVIDED THE SHAPE FITS INScribed INSIDE THE MAXIMUM ALLOWABLE RECTANGULAR AREA INDICATED ON WINDOW SIZE CHART ON PAGE 4.



"FIXED EYEBROW"

- NOTES:**
1. THIS SYSTEM HAS BEEN DESIGNED TO COMPLY WITH THE REQUIREMENTS OF THE HIGH VELOCITY HURRICANE ZONE (HVHZ) AS DESCRIBED IN THE "2007 FLORIDA BUILDING CODE"
  2. THIS WINDOW SYSTEM HAS BEEN TESTED, ENGINEERED AND APPROVED FOR FRAME SIZES AND DESIGN PRESSURES NOT TO EXCEED THOSE SHOWN IN WINDOW SIZE CHART ON SHEET 4.
  3. BUICK, OPENINGS & BUICK FASTENERS MUST BE DESIGNED & INSTALLED TO WITHSTAND WIND LOADS FOR EACH APPLICATION. THE DESIGN & ENGINEERING OF BUICKS SHALL BE PROVIDED BY THE PROFESSIONAL OF RECORD.
  4. BUICK FASTENERS MAY NOT EXCEED 16" O.C. SPACING AROUND OPENINGS.
  5. THE SYSTEM SHOWN HEREIN WAS TESTED FOR WATER, AIR, IMPACT, CYCLIC & UNIFORM STATIC AIR PRESSURE TESTING IN COMPLIANCE WITH DAVE COUNTY, PROTOCOLS TWS-201, 202 & 203.
  6. ONE-THIRD (33%) INCREASE IN ALLOWABLE MATERIAL STRESS LIMITS FOR SHORT DURATION WIND LOAD NOT USED IN THE DESIGN CALCULATIONS.
  7. MULTIPLE UNITS (STACKED SIDE BY SIDE OR TOP TO BOTTOM) SHALL REQUIRE SEPARATE MILLION WITH SEPARATE PRODUCT APPROVAL.

| GLASS SCHEDULE |  |
|----------------|--|
| Q1-1           | 7/16" (4.80") LAMINATED (LARGE MISSILE IMPACT) 3/16" (0.185") HEAT STRENGTHENED (PVB) .090 INTERLAYER DUPONT BUTACITE (PVB) 3/16" (0.185") HEAT STRENGTHENED |

| MAX. DESIGN PRESSURES                         |  |
|---|--|
| SEE CHART ON SHEET-4 FOR ALLOWABLE PRESSURES. |  |
| WATER INFILTRATION TEST = 12.75 P.S.F.        |  |

| REVISIONS |      |    |             |
|-----------|------|----|-------------|
| NO.       | DATE | BY | DESCRIPTION |
|           |      |    |             |
|           |      |    |             |
|           |      |    |             |

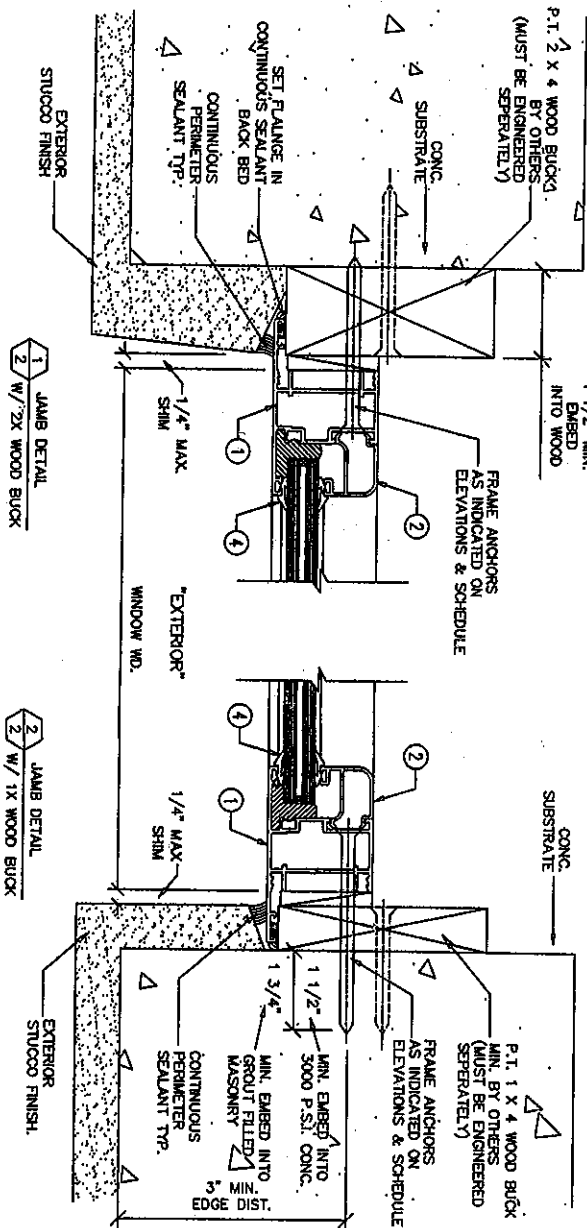
PRODUCT:  
**SERIES EKU-53 ALUMINUM FIXED WINDOW**

BROMLEY-COOK ENGINEERING, INC.  
STRUCTURAL ENGINEERING SERVICES  
6440 N.W. 33RD AVENUE, SUITE 100  
FORT LAUDERDALE, FL 33309  
PHONE: (305) 453-2010  
FAX: (305) 453-2000  
JUN 24 2010  
M.D. COOK  
P.E. #12990  
FLORIDA  
LICENSE

**LA FINESTRA, L.C.**  
ITALIAN WINDOWS & DOORS  
2780 N.W. 104 Court  
Miami, FL 33172  
Phone (305) 598-8093  
Fax (305) 592-4671

ANCHOR SCHEDULE

| ANCHOR TYPE  | SUBSTRATE/EMBED   | WINDOW WIDTH   | MAXIMUM ALLOWABLE ANCHOR SPACING HEAD & SILL  | MAXIMUM ALLOWABLE ANCHOR SPACING JAMBES   |
|--|---|--|---|---|
| 1/4" DIA. X REQ'D. LENGTH F.H. TYPICON OR EQUAL  | CONCRETE (2000 PSI MIN.)<br>1 1/2" INTO CONC. MIN.<br>CBS (GROUT FILLED)  | UP TO 61-5/8"  | 4" MIN. TO 6" MAX. FROM ENDS<br>BALANCE @ 10" C/C MAX.  | 4" MIN. TO 6" MAX. FROM ENDS<br>BALANCE @ 10" C/C MAX.  |
| Fy = 92 KSI<br>Fy = 120 KSI  | METAL STRUCTURES<br>STEEL A36 MIN. OR<br>1/8" MIN. THICK ALUM.<br>6061-T6 | UP TO 61-5/8"  | 4" MIN. TO 6" MAX. FROM ENDS<br>BALANCE @ 10" C/C MAX.  | 4" MIN. TO 6" MAX. FROM ENDS<br>BALANCE @ 10" C/C MAX.  |
| #14 X REQ'D. LENGTH<br>F.H.S.M.S. OR SELF-DRILLING<br>ECCO DRILL FLEX<br>Fy = 92 KSI<br>Fy = 120 KSI | MIN. 2 X 4 NO.2 S.Y.P.<br>EMBED:<br>1 1/2" INTO WOOD MIN.                 | UP TO 61-5/8"<br>UP TO 54"<br>UP TO 42"<br>UP TO 36" | 4" MIN. TO 6" MAX. FROM ENDS<br>BALANCE @ 6" C/C MAX.<br>4" MIN. TO 6" MAX. FROM ENDS<br>BALANCE @ 7" C/C MAX.<br>4" MIN. TO 6" MAX. FROM ENDS<br>BALANCE @ 9" C/C MAX.<br>4" MIN. TO 6" MAX. FROM ENDS<br>BALANCE @ 10" C/C MAX. | 4" MIN. TO 6" MAX. FROM ENDS<br>BALANCE @ 6" C/C MAX.<br>4" MIN. TO 6" MAX. FROM ENDS<br>BALANCE @ 7" C/C MAX.<br>4" MIN. TO 6" MAX. FROM ENDS<br>BALANCE @ 9" C/C MAX.<br>4" MIN. TO 6" MAX. FROM ENDS<br>BALANCE @ 10" C/C MAX. |



DATE: 3/11/10

SCALE: AS NOTED

DRW. BY: R.P.

CHK. BY:

| REVISIONS | No. | DATE | BY | DESCRIPTION |
|-----------|-----|------|----|-------------|
|           |     |      |    |             |
|           |     |      |    |             |
|           |     |      |    |             |

DESIGNED BY: LATINCA-10

SHEET 2 OF 5

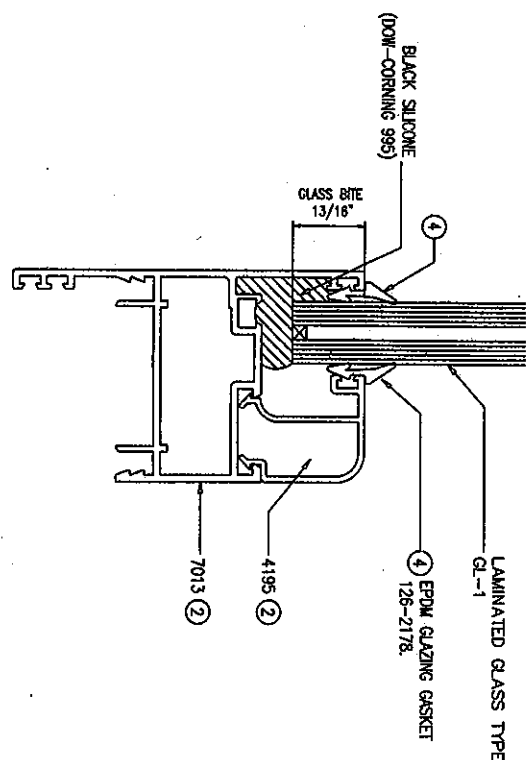
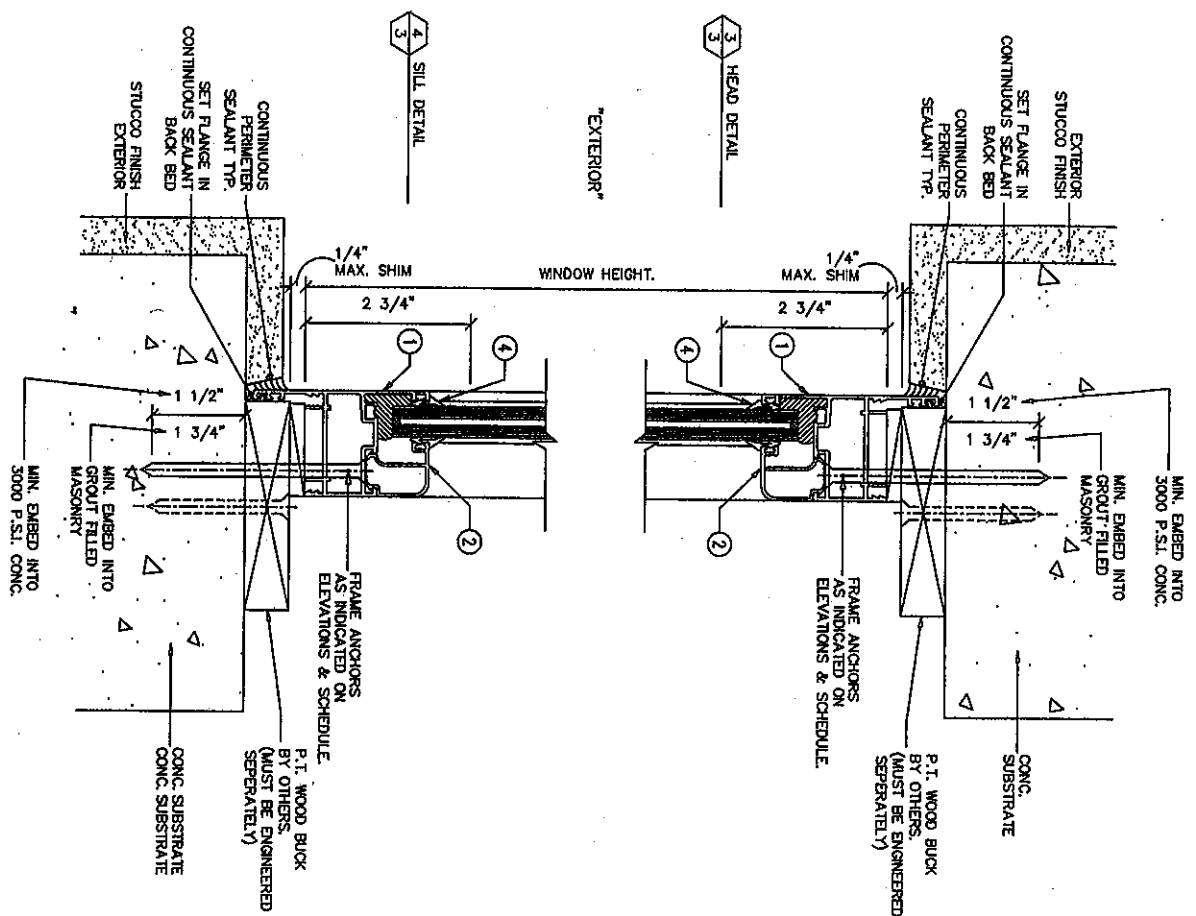
PRODUCT:  
**SERIES EKU-53  
ALUMINUM FIXED  
WINDOW**

BROWN & COOK ENGINEERING, INC.  
2790 N.W. 104 COURT  
MIAMI, FL 33172  
PHONE (305) 599-8093  
FAX (305) 592-4871

**LA FINESTRA, L.C.**  
ITALIAN WINDOWS & DOORS

2790 N.W. 104 Court  
Miami, FL 33172  
Phone (305) 599-8093  
Fax (305) 592-4871





DATE: 3/11/10  
 SCALE: AS NOTED  
 DWO. BY: R.P.  
 CHK. BY:

| REVISIONS |      |    |             |
|-----------|------|----|-------------|
| No.       | DATE | BY | DESCRIPTION |
|           |      |    |             |
|           |      |    |             |
|           |      |    |             |

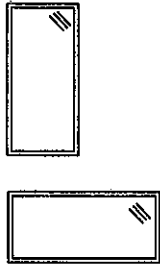
PRODUCT:  
**SERIES EKV-53**  
**ALUMINUM FIXED**  
**WINDOW**

**BROMLEY-COOK ENGINEERING, INC.**  
 STRUCTURAL ENGINEERING SERVICES  
 5440 N.W. 38th AVENUE SUITE 100  
 FORT LAUDERDALE, FL 33309  
 WILLIAM D. COOK, P.E. 245904  
 305-992-4671

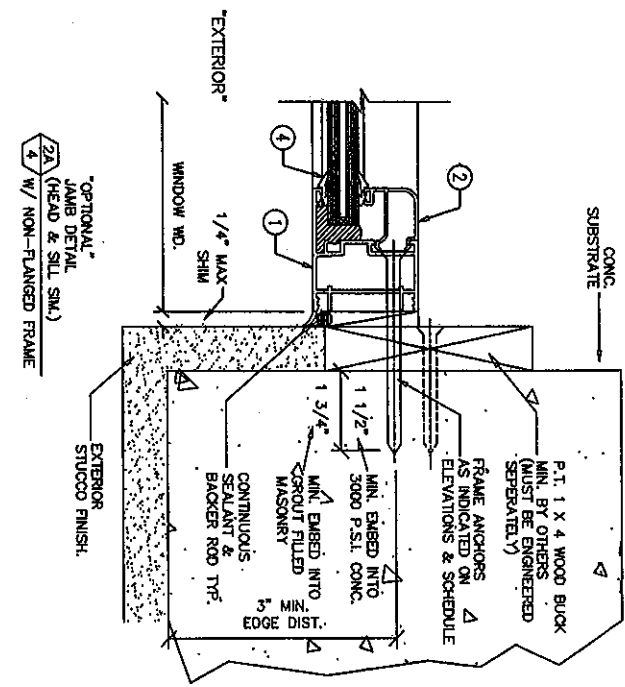
**LA FINESTRA, L.C.**  
 ITALIAN WINDOWS & DOORS  
 2790 N.W. 104 Court  
 Miami, FL 33172  
 Phone (305) 598-8093  
 Fax (305) 592-4671

| WINDOW SIZE CHART         |                 | ALLOWABLE DESIGN LOADS (PSF) |        |
|---------------------------|-----------------|------------------------------|--------|
| MODULAR WINDOW FRAME SIZE | GLASS TYPE GL-1 | EXT(+)                       | EXT(-) |
| 24" WIDTH                 | 95" HEIGHT      | 85                           | 95     |
| 30"                       | 95"             | 85                           | 95     |
| 36"                       | 95"             | 85                           | 95     |
| 42"                       | 95"             | 85                           | 95     |
| 48"                       | 95"             | 85                           | 95     |
| 54"                       | 95"             | 85                           | 95     |
| 57"                       | 95"             | 85                           | 95     |
| 24"                       | 72"             | 85                           | 95     |
| 30"                       | 72"             | 85                           | 95     |
| 36"                       | 72"             | 85                           | 95     |
| 42"                       | 72"             | 85                           | 95     |
| 48"                       | 72"             | 85                           | 95     |
| 52"                       | 72"             | 85                           | 95     |
| 24"                       | 84"             | 85                           | 95     |
| 30"                       | 84"             | 85                           | 95     |
| 36"                       | 84"             | 85                           | 95     |
| 42"                       | 84"             | 85                           | 95     |
| 48"                       | 84"             | 85                           | 95     |
| 43 1/2"                   | 84"             | 85                           | 95     |
| 24"                       | 97 3/4"         | 85                           | 95     |
| 30"                       | 97 3/4"         | 85                           | 95     |
| 36"                       | 97 3/4"         | 85                           | 95     |
| 37 3/4"                   | 97 3/4"         | 85                           | 95     |

(TESTED ASSEMBLY = 37 3/4" X 97 3/4" @ +85/-95 PSF)  
 (RECTANGULAR SHAPE)  
 (TESTED ASSEMBLY = 37 7/8" X 97 1/2" @ +85/-95 PSF)  
 (RECTANGULAR SHAPE W/ EYEBROW TOP)  
 (TESTED ASSEMBLY = 61 5/8" X 61 5/8" @ +85/-95 PSF)  
 (1/2" CIRCLE ARCHED TOP)



NOTE:  
 WINDOWS MAY BE ORIENTED HORIZONTALLY OR VERTICALLY.



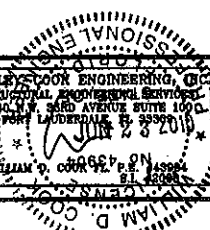
DATE: 3/11/10  
 SCALE: AS NOTED  
 DWG. BY: R.P.  
 CHK. BY:

| REVISIONS |      |    |             |
|-----------|------|----|-------------|
| No.       | DATE | BY | DESCRIPTION |
|           |      |    |             |
|           |      |    |             |

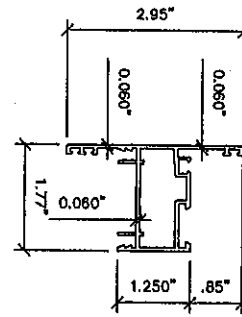
PRODUCT:  
**SERIES EKU-53 ALUMINUM FIXED WINDOW**

BROME'S DOOR ENGINEERING, INC.  
 STRUCTURAL ENGINEERING SERVICES  
 6490 N.W. 36th AVENUE SUITE 1000  
 MIAMI, FL 33167  
 PHONE: (305) 599-8093  
 FAX: (305) 592-4671

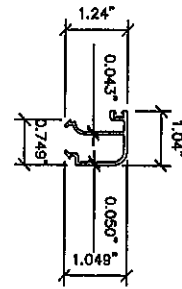
**LA FINESTRA, L.C.**  
 ITALIAN WINDOWS & DOORS  
 2790 N.W. 104 Court  
 Miami, FL 33172  
 Phone (305) 599-8093  
 Fax (305) 592-4671



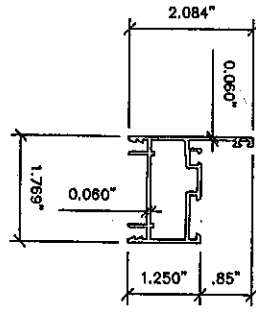
7013 - FRAME (FLANGED) (1)



4195 - GLAZING BEAD (2)



7014 - FRAME (NON-FLANGED) (1A)

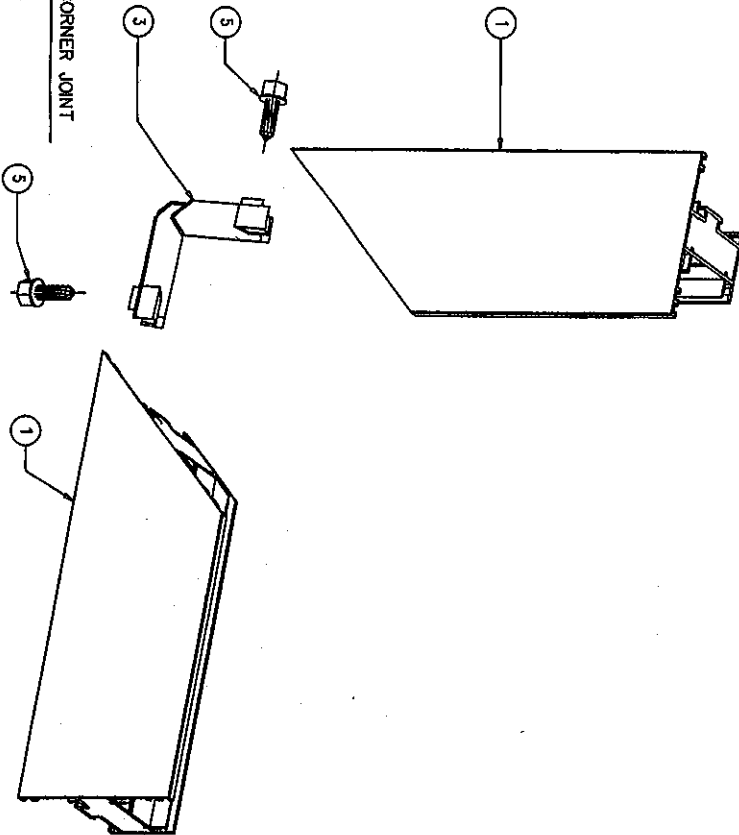


MATERIAL LIST

| KEY  | PART NUMBER | DESCRIPTION                                | MATERIAL         | MANF./SUPPLIER/REMARKS |
|------|-------------|--|------------------|------------------------|
| (1)  | 7013        | FRAME HEAD/SILL/JAMB (W/ FLANGE)           | EN AW-6060 - T5  | PROFILATI SPA          |
| (1A) | 7014        | FRAME HEAD/SILL/JAMB (W/O FLANGE) OPTIONAL | EN AW-6060 - T5  | PROFILATI SPA          |
| (2)  | 4195        | GLAZING BEAD                               | EN AW-6060 - T5  | PROFILATI SPA          |
| (3)  | 0409        | FRAME CORNER KEY                           | CAST ALUMINUM    | MONDCELLI              |
| (4)  | 126-2178    | CONTINUOUS EPDM WEDGE GASKET               | EPDM             |                        |
| (5)  | SC-1        | #14 HEX HEAD S.A.S.                        | CAD-PLATED STEEL |                        |

SEALANTS  
 - GLAZING BEAD AT FRAME SILL SEALED TO GLASS WITH DOW CORNING 995 OR PECORA 895  
 - FRAME CORNERS SEALED WITH DOW CORNING 999

A FRAME CORNER JOINT



DATE: 3/11/10  
 SCALE: AS NOTED  
 DWG. BY: R.P.  
 CHK. BY:

| REVISIONS |      |    |             |
|-----------|------|----|-------------|
| No.       | DATE | BY | DESCRIPTION |
|           |      |    |             |
|           |      |    |             |
|           |      |    |             |

PRODUCT:  
**SERIES EKU-53  
 ALUMINUM FIXED  
 WINDOW**

WILLIAM D. COOK ENGINEERING  
 2780 N.W. 104 COURT  
 MIAMI, FL 33172  
 PHONE (305) 598-8083  
 FAX (305) 592-4671

**LA FINESTRA, L.C.**  
 ITALIAN WINDOWS & DOORS  
 2780 N.W. 104 Court  
 Miami, FL 33172  
 Phone (305) 598-8083  
 Fax (305) 592-4671

SHEET 5 OF 5